

### STEP 1

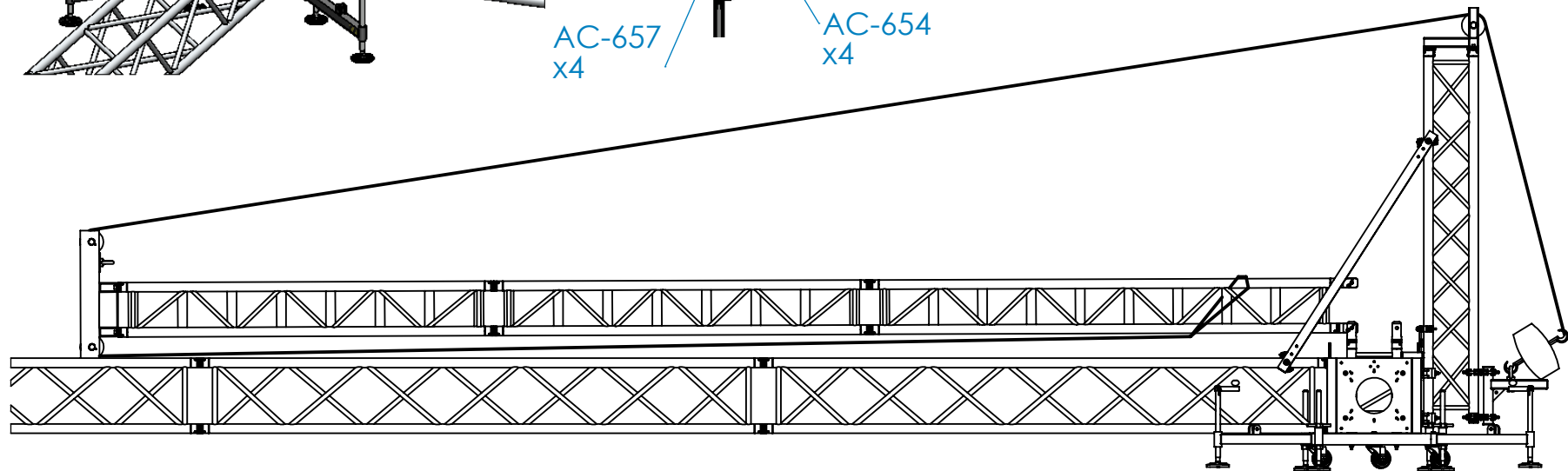
Place the four TR3 towers at the corner to mount the truss perimeter and stabilize the towers.

### STEP 2

Place horizontally the stair-truss that you want to raise just above the perimeter, mount the top at the end of the stair-truss and attach it to the two hinges from the 0,5m truss. Make the same in the 4 towers.

### STEP 3

Assembly all items for the support motor as shown in the pictures, place the electrical chain hoist and pass the chain. Ensure the hook to the stair-truss using a sling or similar product.

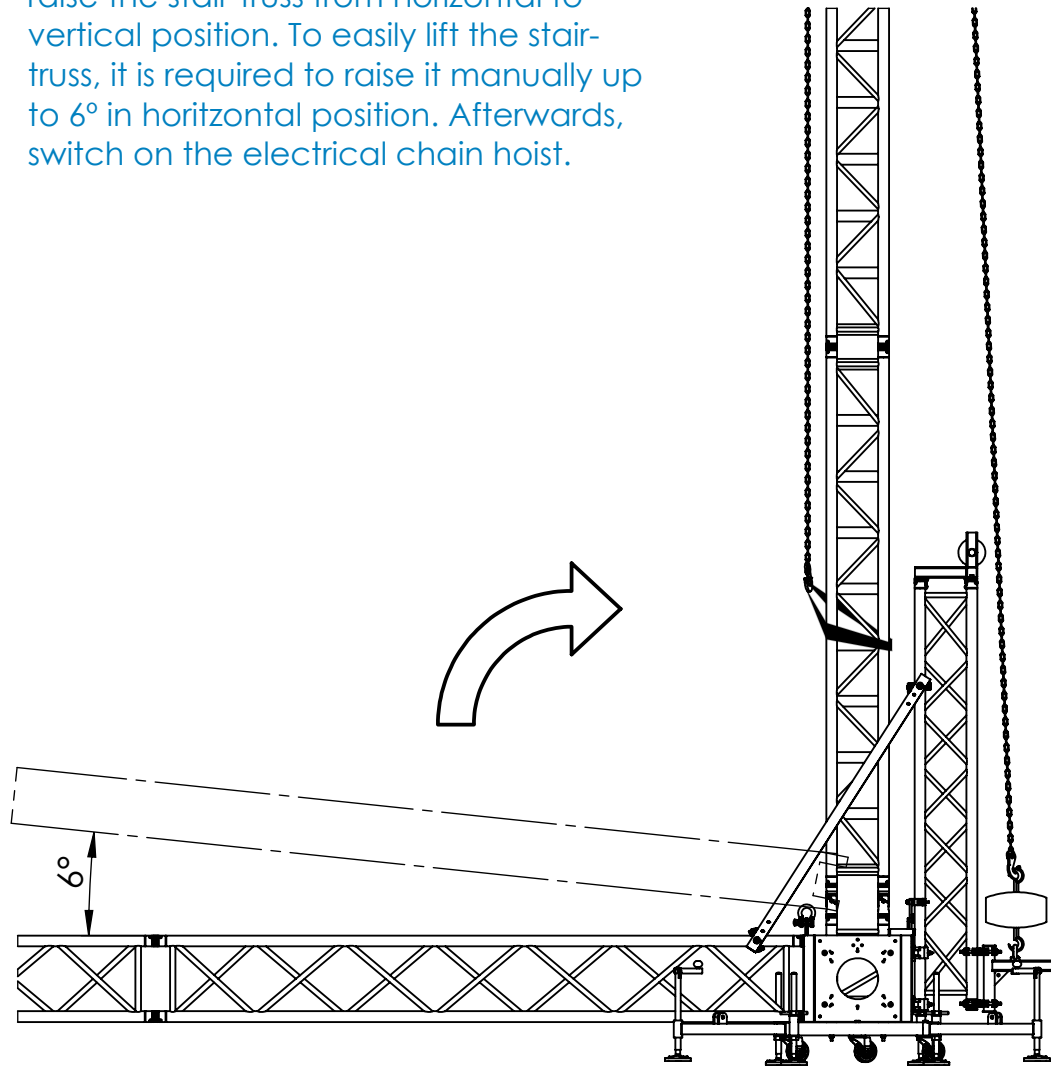


**CESM-TR3** Lifting kit for motor support for TR3

**FENIX**

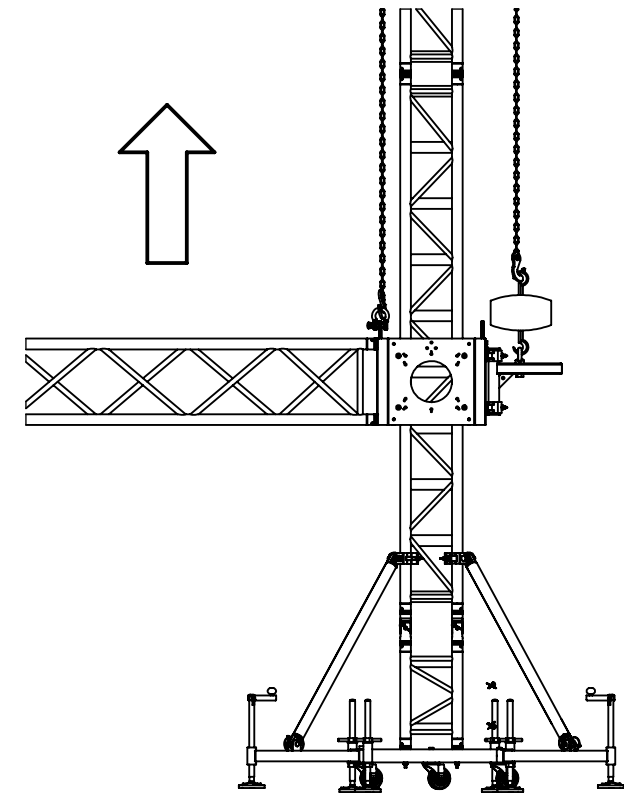
#### STEP 4

Switch on the electrical chain hoist and raise the stair-truss from horizontal to vertical position. To easily lift the stair-truss, it is required to raise it manually up to  $6^\circ$  in horizontal position. Afterwards, switch on the electrical chain hoist.



#### STEP 5

Once the tower is up, put the safety pins to the hinges, remove the truss along with the following accessories: CSM-TR, TI-CSM and AP-CSM. Assembly SM-TR to the clamps of the sleeveblock, as shown in image. Once this step is done, you can start raising the structure.



**FENIX**